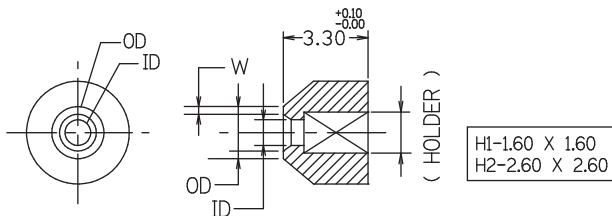


Part No.	OD		ID		W mm	Holder Type
	mils	mm	mils	mm		
RT-007	7	0.18	4	0.10	0.04	H1
RT-008	8	0.20	4	0.10	0.05	H1
RT-008	8	0.20	5	0.13	0.04	H1
RT-010	10	0.25	6	0.15	0.05	H1
RT-012	12	0.30	6	0.15	0.08	H1
RT-013	13	0.33	6	0.15	0.09	H1
RT-016	16	0.41	8	0.20	0.10	H1
RT-018	18	0.46	8	0.20	0.13	H1
RT-020	20	0.51	10	0.25	0.13	H1
RT-030	30	0.76	14	0.35	0.21	H1
RT-040	40	1.02	16	0.40	0.28	H1
RT-050	50	1.27	21	0.55	0.30	H1
RT-060	60	1.52	27	0.70	0.40	H1

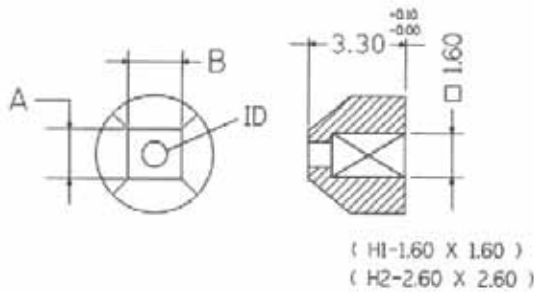


Part No.	OD		ID		W mm	Holder Type
	mils	mm	mils	mm		
RT-070	70	1.78	40	1.00	0.30	H1
RT-080	80	2.03	40	1.00	0.30	H1
RT-090	90	2.29	40	1.00	0.30	H1
RT-100	100	2.54	40	1.00	0.30	H1
RT-110	110	2.79	40	1.00	0.40	H1
RT-120	120	3.05	40	1.00	0.40	H1
RT-130	130	3.30	40	1.00	0.40	H1
RT-140	140	3.56	40	1.00	0.40	H1
RT-150	150	3.81	40	1.00	0.40	H1
RT-160	160	4.06	40	1.00	0.40	H1
RT-170	170	4.32	40	1.00	0.40	H1

For sizes not found above, we can custom made to meet customer requirements.

The above Rubber Tip can withstand temperature of up to 120°C & intermittent exposure to 180°C.

RUBBER TIPS FLAT TIP (RT-XXX-XXX-FT) - SQUARE & RECTANGULAR

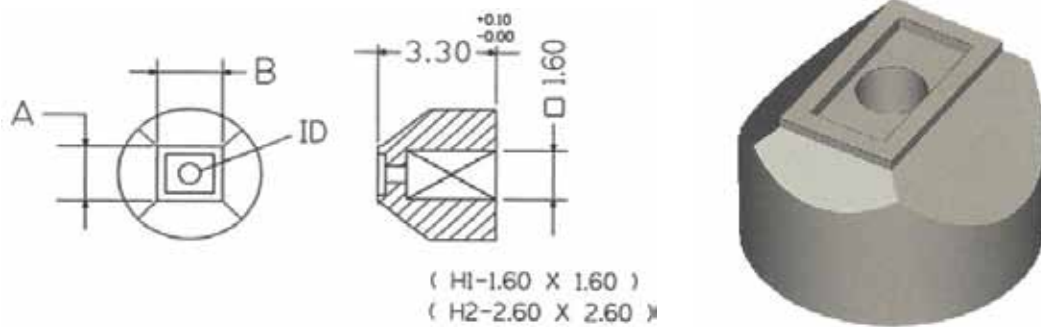


Part No.	A		B		ID mm	Holder Type
	mils	mm	mils	mm		
RT-020-030-FT	19	0.50	30	0.76	0.25	H1
RT-030-030-FT	30	0.76	30	0.76	0.35	H1
RT-030-050-FT	30	0.76	50	1.27	0.35	H1
RT-030-070-FT	30	0.76	70	1.78	0.35	H1
RT-030-100-FT	30	0.76	100	2.54	0.35	H1
RT-040-040-FT	40	1.02	40	1.02	0.45	H1
RT-040-060-FT	40	1.02	60	1.52	0.45	H1
RT-050-050-FT	50	1.27	50	1.27	0.65	H1
RT-050-100-FT	50	1.27	100	2.54	0.65	H1
RT-060-060-FT	60	1.52	60	1.52	0.90	H1
RT-060-090-FT	60	1.52	90	2.29	0.90	H1
RT-070-070-FT	70	1.78	70	1.78	1.00	H1
RT-070-120-FT	70	1.78	120	3.04	1.00	H1
RT-080-080-FT	80	2.03	80	2.03	1.00	H1
RT-090-090-FT	90	2.28	90	2.28	1.00	H1
RT-090-110-FT	90	2.28	110	2.79	1.00	H1
RT-100-100-FT	100	2.54	100	2.54	1.00	H1
RT-120-120-FT	120	3.04	120	3.04	1.00	H1
RT-130-130-FT	130	3.30	130	3.30	1.00	H1
RT-140-140-FT	140	3.55	140	3.55	1.00	H1
RT-150-150-FT	150	3.81	150	3.81	1.00	H1
RT-160-160-FT	160	4.06	160	4.06	1.00	H1
RT-170-170-FT	170	4.31	170	4.31	1.00	H1
RT-180-180-FT	180	4.57	180	4.57	1.00	H1
RT-190-190-FT	190	4.82	190	4.82	1.00	H1
RT-200-200-FT	200	5.08	200	5.08	1.00	H1
RT-210-210-FT	210	5.33	210	5.33	1.50	H2
RT-220-220-FT	220	5.58	220	5.58	1.50	H2

For sizes not found above, we can custom made to meet customer requirements.

The above Rubber Tip can withstand temperature of up to 120°C & intermittent exposure to 180°C.

RUBBER TIPS RELIEF WALL (RT-XXX-XXX) - SQUARE & RECTANGULAR

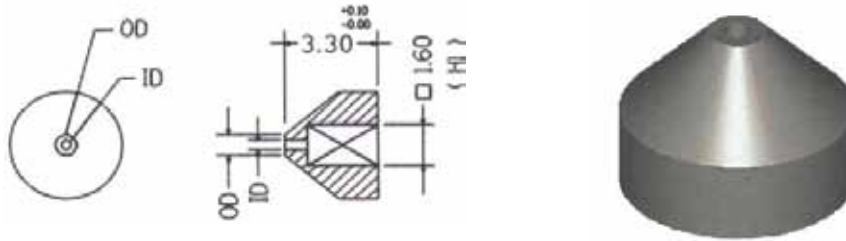


Part No. 型号	A		B		ID / 内径 mm	Holder Type 杆型
	mils	mm	mils	mm		
RT-040-060	40	1.02	60	1.52	0.30	H1
RT-040-080	40	1.02	80	2.03	0.30	H1
RT-050-070	50	1.27	70	1.78	0.30	H1
RT-050-090	50	1.27	90	2.29	0.30	H1
RT-050-150	50	1.27	150	3.81	0.30	H1
RT-060-060	60	1.52	60	1.52	0.30	H1
RT-060-090	60	1.52	90	2.29	0.30	H1
RT-070-070	70	1.78	70	1.78	0.30	H1
RT-070-090	70	1.78	90	2.29	0.30	H1
RT-070-100	70	1.78	100	2.54	0.30	H1
RT-070-120	70	1.78	120	3.05	0.30	H1
RT-070-140	70	1.78	140	3.56	0.30	H1
RT-080-080	80	2.03	80	2.03	0.30	H1
RT-080-100	80	2.03	100	2.54	0.30	H1
RT-080-120	80	2.03	120	3.05	0.30	H1
RT-090-090	90	2.29	90	2.29	0.30	H1
RT-090-110	90	2.29	110	2.79	0.30	H1
RT-090-150	90	2.29	150	3.81	0.30	H1
RT-100-100	100	2.54	100	2.54	0.30	H1
RT-100-130	100	2.54	130	3.30	0.30	H1
RT-200-200	200	5.08	200	5.08	0.30	H2
RT-300-300	300	7.62	300	7.62	0.40	H2

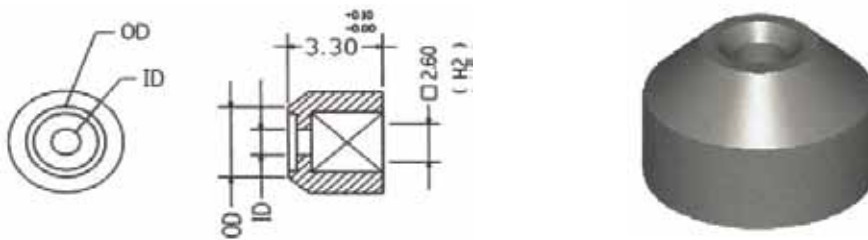
For sizes not found above, we can custom made to meet customer requirements.

The above Rubber Tip can withstand temperature of up to 120°C & intermittent exposure to 180°C.

HIGH TEMPERATURE RUBBER TIPS (HTRT-XXX) - ROUND



Part No.	OD		ID		W mm	Holder Type
	mils	mm	mils	mm		
HTRT-020	20	0.508	10	0.25	0.12	H1
HTRT-030	30	0.762	16	0.40	0.18	H1
HTRT-040	40	1.016	18	0.45	0.28	H1
HTRT-050	50	1.270	24	0.60	0.33	H1
HTRT-060	60	1.524	28	0.70	0.41	H1

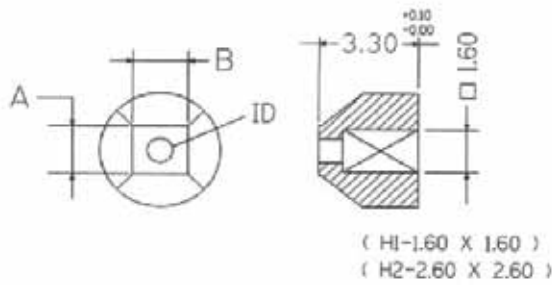


Part No.	OD		ID		W mm	Holder Type
	mils	mm	mils	mm		
HTRT-070	70	1.78	40	1.00	0.30	H1
HTRT-080	80	2.03	40	1.00	0.30	H1
HTRT-090	90	2.29	40	1.00	0.30	H1
HTRT-100	100	2.54	40	1.00	0.30	H1
HTRT-110	110	2.79	40	1.00	0.40	H1
HTRT-120	120	3.05	40	1.00	0.40	H1
HTRT-130	130	3.30	40	1.00	0.40	H1
HTRT-140	140	3.56	40	1.00	0.40	H1
HTRT-150	150	3.81	40	1.00	0.45	H1
HTRT-160	160	4.06	40	1.00	0.40	H1
HTRT-170	170	4.32	40	1.00	0.40	H1
HTRT-180	180	4.57	40	1.00	0.35	H1
HTRT-190	190	4.83	40	1.00	0.35	H1
HTRT-200	200	5.08	40	1.00	0.45	H1

For sizes not found above, we can custom made to meet customer requirements.

The above Rubber Tip can withstand temperature of up to 300°C & intermittent exposure to 450°C.

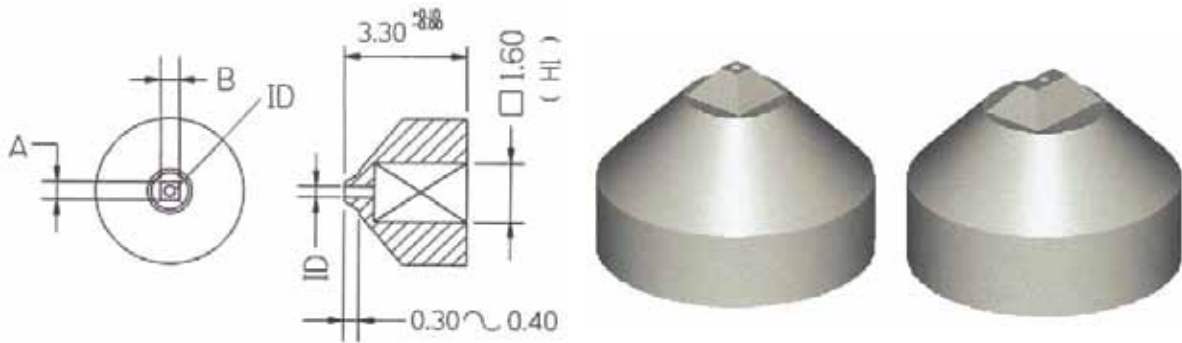
HIGH TEMPERATURE RUBBER TIPS (HTRT-XXX-XXX-FT) - SQUARE & RECTANGULAR



Part No.	A		B		ID mm	Holder Type
	mils	mm	mils	mm		
HTRT-030-030-FT	30	0.76	30	0.76	0.40	H1
HTRT-030-050-FT	30	0.76	50	1.27	0.40	H1
HTRT-030-070-FT	30	0.76	70	1.78	0.40	H1
HTRT-030-100-FT	30	0.76	100	2.54	0.40	H1
HTRT-040-040-FT	40	1.02	40	1.02	0.45	H1
HTRT-040-060-FT	40	1.02	60	1.52	0.45	H1
HTRT-050-050-FT	50	1.27	50	1.27	0.60	H1
HTRT-050-100-FT	50	1.27	100	2.54	0.60	H1
HTRT-060-060-FT	60	1.52	60	1.52	0.70	H1
HTRT-060-090-FT	60	1.52	90	2.29	1.00	H1
HTRT-070-070-FT	70	1.78	70	1.78	1.00	H1
HTRT-070-100-FT	70	1.78	100	2.54	1.00	H1
HTRT-080-080-FT	80	2.03	80	2.03	1.00	H1
HTRT-080-110-FT	80	2.03	110	2.80	1.00	H1
HTRT-080-160-FT	80	2.03	160	4.06	1.00	H1
HTRT-090-090-FT	90	2.28	90	2.28	1.00	H1
HTRT-100-100-FT	100	2.54	100	2.54	1.00	H1
HTRT-110-110-FT	110	2.80	110	2.80	1.00	H1
HTRT-120-120-FT	120	3.04	120	3.04	1.00	H1
HTRT-120-140-FT	120	3.04	140	3.55	1.00	H1
HTRT-130-130-FT	130	3.30	130	3.30	1.00	H1
HTRT-140-140-FT	140	3.55	140	3.55	1.00	H1
HTRT-150-150-FT	150	3.81	150	3.81	1.00	H1
HTRT-160-160-FT	160	4.06	160	4.06	1.00	H1
HTRT-170-170-FT	170	4.31	170	4.31	1.00	H1
HTRT-180-180-FT	180	4.57	180	4.57	1.00	H1
HTRT-190-190-FT	190	4.82	190	4.82	1.00	H1
HTRT-200-200-FT	200	5.08	200	5.08	1.00	H1

For sizes not found above, we can custom made to meet customer requirements.

The above Rubber Tip can withstand temperature of up to 300°C & intermittent exposure to 450°C.

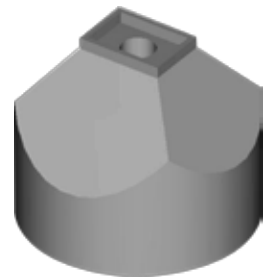
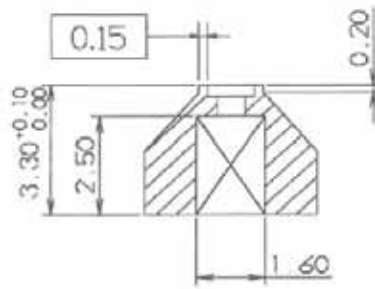
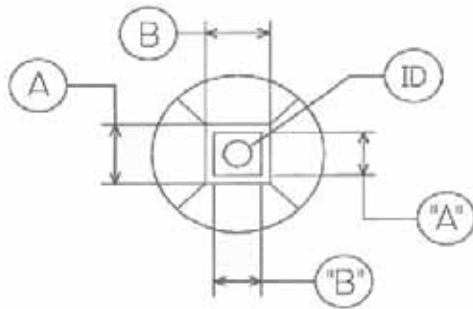


Part No.	A		B		ID mm	Holder Type
	mils	mm	mils	mm		
RTN-008-008	8	0.20	8	0.20	0.13	H1
RTN-009-009	9	0.22	9	0.22	0.13	H1
RTN-010-010	10	0.25	10	0.25	0.13	H1
RTN-010-016	10	0.25	16	0.40	0.15	H1
RTN-010-020	10	0.25	20	0.50	0.15	H1
RTN-010-025	10	0.25	25	0.63	0.15	H1
RTN-012-012	12	0.30	12	0.30	0.15	H1
RTN-012-016	12	0.30	16	0.40	0.15	H1
RTN-012-020	12	0.30	20	0.50	0.15	H1
RTN-012-030	12	0.30	30	0.76	0.15	H1
RTN-015-015	15	0.38	15	0.38	0.20	H1
RTN-015-020	15	0.38	20	0.50	0.20	H1
RTN-015-030	15	0.38	30	0.76	0.20	H1
RTN-015-035	15	0.38	35	0.88	0.20	H1
RTN-016-016	16	0.40	16	0.40	0.20	H1
RTN-018-020	18	0.45	20	0.50	0.20	H1
RTN-018-030	18	0.45	30	0.76	0.20	H1
RTN-018-035	18	0.45	35	0.88	0.20	H1

For sizes not found above, we can custom made to meet customer requirements.

The above Rubber Tip can withstand temperature of up to 120°C & intermittent exposure to 180°C.

RUBBER TIPS FOR PICKING-UP OF SOLDER BUMP DIE (RT-XXX-XXX-SBXX-RLDXX)



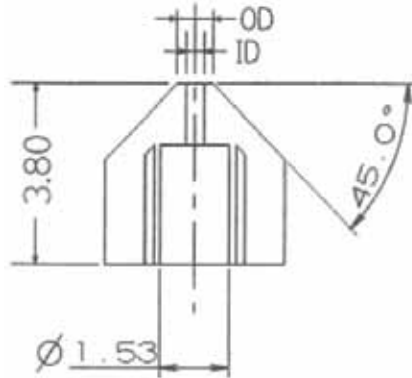
Part No.	A mm	" A " mm	B mm	" B " mm	ID mm
RT-021-025-SB10-RLD10	0.53	0.33	0.65	0.45	0.30
RT-021-049-SB10-RLD30	0.54	0.34	1.25	1.05	0.30
RT-028-036-SB10-RLD08	0.73	0.53	0.93	0.73	0.40
RT-029-035-SB10-RLD08	0.73	0.53	0.88	0.68	0.40
RT-030-071-SB10-RLD20	0.77	0.57	1.80	1.60	0.45
RT-031-040-SB15-RLD15	0.78	0.48	1.01	0.71	0.40
RT-032-032-SB10-RLD16	0.81	0.61	0.81	0.61	0.35
RT-032-062-SB13-RLD15	0.81	0.55	1.57	1.32	0.45
RT-035-035-SB10-RLD50	0.90	0.70	0.90	0.70	0.45
RT-040-040-SB15-RLD28	1.00	0.70	1.00	0.70	0.50
RT-040-080-SB15-RLD20	1.02	0.72	2.03	1.73	0.60
RT-041-056-SB15-RLD28	1.04	0.74	1.43	1.13	0.50
RT-041-063-SB10-RLD30	1.04	0.84	1.60	1.40	0.60
RT-042-073-SB20-RLD20	1.07	0.67	1.87	1.47	0.50
RT-050-050-SB20-RLD18	1.27	0.87	1.27	0.87	0.60
RT-050-070-SB20-RLD18	1.27	0.87	1.77	1.37	0.60
RT-050-090-SB20-RLD18	1.27	0.87	2.28	1.88	0.60
RT-051-067-SB13-RLD10	1.30	1.04	1.71	1.45	0.60
RT-060-060-SB20-RLD25	1.52	1.12	1.52	1.12	0.80
RT-060-110-SB15-RLD25	1.50	1.20	2.80	2.50	0.80
RT-061-061-SB13-RLD24	1.56	1.30	1.56	1.30	0.80
RT-062-073-SB15-RLD15	1.59	1.29	1.87	1.57	0.70
RT-062-078-SB20-RLD30	1.60	1.20	2.00	1.60	0.80
RT-070-070-SB15-RLD15	1.80	1.50	1.80	1.50	1.00
RT-072-072-SB15-RLD13	1.83	1.53	1.83	1.53	1.00
RT-072-091-SB15-RLD23	1.82	1.52	2.31	2.01	1.00

For sizes not found above, we can custom made to meet customer requirements.

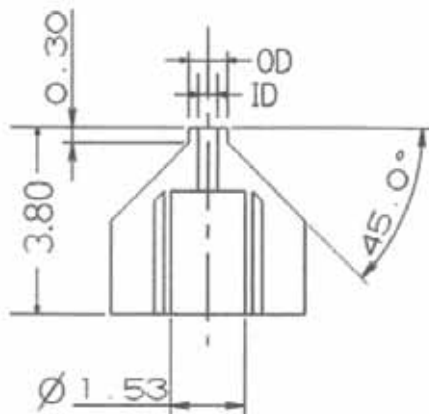
The above Rubber Tip can withstand temperature of up to 120°C & intermittent exposure to 180°C.

For Flip Chip process

Pick the back of Solder Bump Die & place it into the Cavity Pocket.

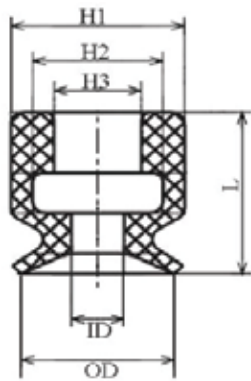


Part No.	ID (mm)	OD (mm)
RDTC3-015	0.18	0.38
RDTC3-020	0.20	0.50
RDTC3-025	0.25	0.63

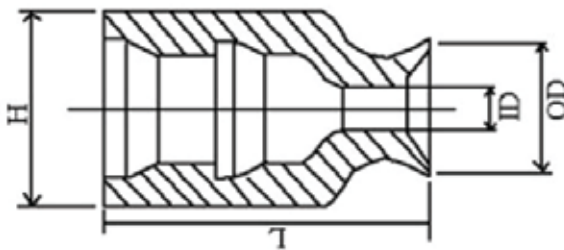


Part No.	ID (mm)	OD (mm)	Colour Code
RDTC3-030	0.35	0.76	RED
RDTC3-040	0.50	1.01	BLUE
RDTC3-050	0.60	1.27	PURPLE
RDTC3-060	1.00	1.52	GREEN
RDTC3-070	1.00	1.77	BLACK
RDTC3-080	1.00	2.03	WHITE
RDTC3-090	1.00	2.28	BLUE / GREEN
RDTC3-100	1.00	2.54	YELLOW

SUCTION CUP - (SCXX-X.X)



Part No.	ID mm	OD mm	L (Length) mm	H1 mm	H2 mm	H3 mm
SC09-1.5	0.6	1.5	4.0	4.0	3.0	2.0
SC09-2.0	1.2	2.0	4.0	4.0	3.0	2.0
SC09-3.5	1.2	3.5	4.0	4.0	3.0	2.0
SC09-4.0	1.2	4.0	4.0	4.0	3.0	2.0
SC08-2.0	1.2	2.0	6.5	7.5	6.0	4.0
SC08-5.0	1.5	5.0	6.5	7.5	6.0	4.0
SC08-6.0	2.0	6.0	6.5	7.5	6.0	4.0
SC08-8.0	2.0	8.0	7.0	8.0	6.0	4.0
SC08-10	2.0	10.0	7.0	8.0	6.0	4.0



Part No.	ID mm	OD mm	L (Length) mm	H mm
SC03-1.5	0.6	1.5	12.0	7.0
SC03-2.0	1.2	2.0	12.0	7.0
SC03-4.0	1.6	4.0	12.0	7.0
SC03-5.0	1.6	5.0	12.0	7.0
SC03-7.0	2.5	7.0	12.0	7.0
SC03-8.0	2.5	8.0	12.0	7.0

For sizes not found above, we can custom made to meet customer requirements.

The above Rubber Tip can withstand temperature of up to 120°C & intermittent exposure to 180°C.